

Editorial Staff

PUBLISHER
Jon Payne

EDITOR-IN-CHIEF
Gregg M. Taylor

INTERNATIONAL EDITOR
Dick Kovan

SENIOR EDITOR
Elizabeth S. Tompkins

SENIOR ASSOCIATE EDITOR
Richard A. Michal

ASSOCIATE EDITOR
Patrick Sinco

PRODUCTION EDITOR
Deborah S. Nall

DESKTOP EDITOR
Chris Salvato

EDITORIAL ASSISTANT
Nancy Slove

CONTRIBUTING COLUMNIST
Bill Minkler

Advertising Staff

SALES MANAGER
Jeffery R. Mosses

ADVERTISING/PRODUCTION ASSISTANT
Patricia Fairchild

CIRCULATION ASSISTANT
Bess Weglarz

Editorial Advisory Committee

Ramon Ashley, Sam K. Bhattacharyya,
Annick Carnino, Doug Stickney,
Roger Tilbrook, and Paul Turinsky

ANS Headquarters

GENERAL NUMBER
708/352-6611

Facsimile 708/352-0499
Web site <www.ans.org>

NUCLEAR NEWS ADVERTISING
708/579-8226, 800/NUC-NEWS
Facsimile 708/352-6464

Web site <www.ans.org/advertising>
e-mail <advertising@ans.org>

NUCLEAR NEWS EDITORIAL
708/579-8245

Facsimile 708/352-6464
e-mail <nucnews@ans.org>

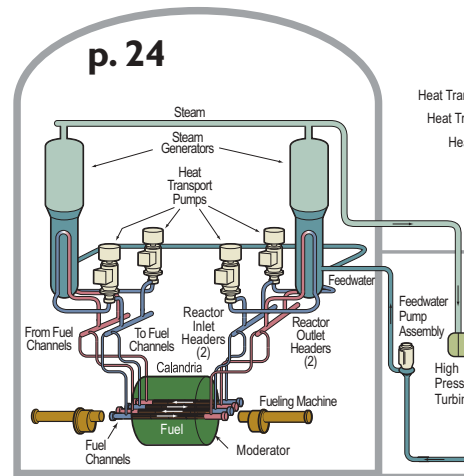
INTERNATIONAL EDITOR
(DICK KOVAN)

011-44-1737-842687
e-mail <dkovan@compuserve.com>

Nuclear News

October 2002

Volume 45, Number 11



SPECIAL SECTION: PLANT MAINTENANCE

41

Chris Wood: On chemistry and corrosion at nuclear power plants

INTERVIEW BY RICK MICHAL 42

NUMEX 2002: Excellence rewarded

BY DICK KOVAN 50

How maintenance groups took on safety at Sizewell B

50

A new sealing for SG header covers at Dukovany

54

Never in crisis—the Paluel way

57

Upgrade of decontamination facilities at Leibstadt

60

Ringhals sets out new Operation and Maintenance handbook

62

FEATURE ARTICLES

The ACR-700—Raising the bar for reactor safety, performance,
economics, and constructability

BY DAVID F. TORGERSON 24

Nuclear power—The next 50 years and beyond

BY LEONARD J. KOCH 33

BOOK REVIEW

63

Nuclear Fusion: Half a Century of Magnetic Confinement

Fusion Research, by C. M. Braams and P. E. Stott

REVIEW BY STEPHEN O. DEAN

POWER

16

Plant staffing: Number of employees declines at nuclear plants. Exelon exploring possible sale of AmerGen. Security against terrorism raised a notch with approach of 9/11. New vessel head, SGs planned for replacement project at Entergy's ANO-1. NRC shifts Indian Point-2 from "red" to "yellow" finding.

MEETINGS

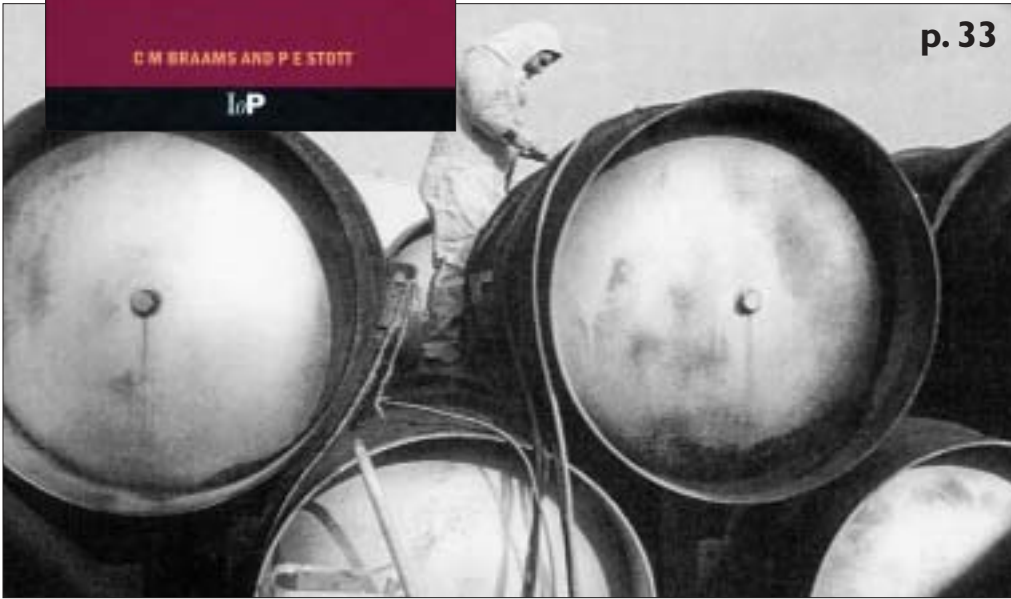
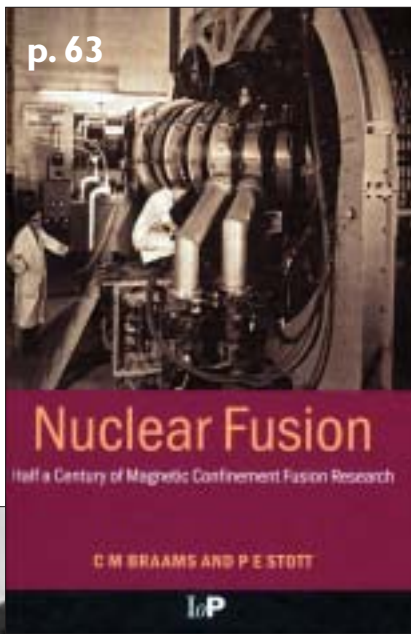
65

Utility Working Conference: A revival through improved plant operations.

INTERNATIONAL

77

BNFL pushes U.K. government on nuclear option. Radwaste committee being set up in U.K. to review options. New U.K. review refutes childhood cancer link. China's Qinshan-4 loads heavy water and fuel. Sustainability summit in Johannesburg remains neutral on nuclear. Hydrogen incident keeps Germany's Brunstüttel closed. IAEA reinforcing the program to protect radiation sources.



p. 63

p. 50

p. 33

ANS Officers

PRESIDENT
Harold Ray

VICE PRESIDENT/PRESIDENT-ELECT
Larry R. Foulke

TREASURER
Kyle Turner

CHAIRMAN, ANS PUBLICATIONS
STEERING COMMITTEE
Robert W. Hess

Administrative

EXECUTIVE DIRECTOR
Harry Bradley

Coming up ...

**December—Special Section
on Space Nuclear Power**

WASTE MANAGEMENT 83

NRC proposes amendments to ISFSI, MRS security notification and reporting requirements. DUF₆ conversion goes to UDS; other pacts.

INDUSTRY 84

Westinghouse gets Korean plant work; other contract news.

ISOTOPES & RADIATION 85

Drug protects fertility in mice after radiation exposure. Gene, radiation quicken tumor death. Blocking body response may help tumor control. DOE to assist workers' compensation claims.

RESEARCH 86

Fusion: Potential burning plasma program under review.

DEPARTMENTS

ANS Membership Application	75	87	People
Backscatter	92	10	Proceedings Available
Calendar	6	91	Publisher's Statement
Calls for Papers	9	12	Quoting at Random
Equipment & Services	88	10	Recently Published
Index to Advertisers	73	14	Retrospective
Late News in Brief	21	4	Setpoint
Literature from Suppliers	91	90	Software/Databases Available



Nuclear News (ISSN: 0029-5574), Volume 45, Number 11. Published monthly (except during the month of April when issued twice monthly) by the American Nuclear Society, Incorporated, with business, executive, and editorial offices at 555 N. Kensington Ave., La Grange Park, Illinois 60526; telephone 708/352-6611. Subscription rate is \$290 for 2002; overseas subscribers add \$51 per year for postage and handling. Single copy price is \$25; \$10 additional for overseas postage and handling (except for the Buyers Guide issue, which is \$91; \$10 additional for overseas postage and handling). Individual ANS members receive *NN* as part of membership (up to \$48 of dues allocated to *NN*). Replacement copies may be obtained at the single copy price, as long as copies are available. Inquiries about the distribution and delivery of *Nuclear News* and requests for changes of address should be directed to the American Nuclear Society. Allow six weeks for a change to become effective. POSTMASTER: Send change of address orders to *Nuclear News*, American Nuclear Society, 555 N. Kensington Ave., La Grange Park, Illinois 60526, or <nucnews@ans.org>.

Nuclear News is printed in New Richmond, Wis. 54017, by St. Croix Press, Inc. Nonprofit periodicals postage paid at La Grange, Illinois, and at additional mailing offices. Copyright © 2002 by the American Nuclear Society, Inc. Trademark registered in USA and Canada.

Opinions expressed in this publication by the authors are their own and do not necessarily reflect the opinions of the editors, the American Nuclear Society, or the organizations with which the authors are affiliated, nor should publication of author viewpoints or identification of materials or products be construed as endorsement by this publication or by the Society.

Texts of most *Nuclear News* articles are available on the NEXIS data base, from Mead Data Corporation.