

Editorial Staff

PUBLISHER
Jon Payne

EDITOR-IN-CHIEF
Gregg M. Taylor

INTERNATIONAL EDITOR
Dick Kovan

SENIOR EDITOR
Elizabeth S. Tompkins

SENIOR ASSOCIATE EDITOR
Richard A. Michal

ASSOCIATE EDITOR
Patrick Sinco

PRODUCTION EDITOR
Deborah S. Nall

DESKTOP EDITOR
Chris Salvato

EDITORIAL ASSISTANT
Nancy Slove

CONTRIBUTING COLUMNIST
Bill Minkler

Advertising Staff

SALES MANAGER
Jeffery R. Mosses

ADVERTISING/PRODUCTION ASSISTANT
Patricia Fairchild

CIRCULATION ASSISTANT
Bess Weglarz

Editorial Advisory Committee

Ramon Ashley, Sam K. Bhattacharyya,
Annick Carnino, Doug Stickney,
Roger Tilbrook, and Paul Turinsky

ANS Headquarters

GENERAL NUMBER
708/352-6611

Facsimile 708/352-0499

Web site <www.ans.org>

NUCLEAR NEWS ADVERTISING
708/579-8226, 800/NUC-NEWS
Facsimile 708/352-6464

Web site <www.ans.org/advertising>
e-mail <advertising@ans.org>

NUCLEAR NEWS EDITORIAL
708/579-8245

Facsimile 708/352-6464

e-mail <nucnews@ans.org>

INTERNATIONAL EDITOR
(DICK KOVAN)

011-44-1737-842687

e-mail <100444.3711@compuserve.com>

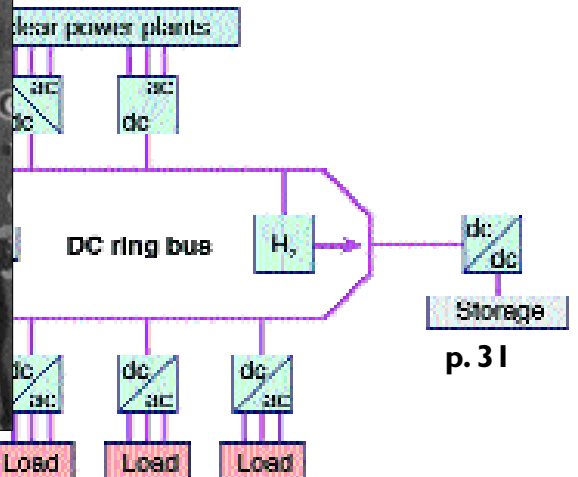
Nuclear News

February 2002

Volume 45, Number 2



p. 27



p. 31

FEATURE ARTICLES

- Enrico Fermi's impact on science BY JOHN H. MARBURGER III 27
- National energy planning for the century:
The Continental SuperGrid BY CHAUNCEY STARR 31
- What the National Energy Strategy means
for the nuclear power industry BY RICHARD A. MESERVE 36
- Resource pressures on nuclear medicine
in the United Kingdom—A personal view BY JONATHAN C. HILL, M.D. 44

BOOK REVIEWS

- The Skeptical Environmentalist: Measuring
the Real State of the World*, by Bjørn Lomborg REVIEW BY BERNARD L. COHEN 63
- Megawatts and Megatons: A Turning Point in the Nuclear Age?*
by Richard L. Garwin and Georges Charpak REVIEW BY WILLIAM C. SAILOR 65

POWER

14

Beaver Valley, two other sites set new operating records. 2001 was record year for power uprates, capacity increases. Hatch's two units approved for 20 more years of operation with license renewal. Former worker at Southern California Edison's San Onofre plant arrested for alleged threats. Congress votes funding for nuclear security. NRC inspections reveal violations at two nuclear plants. FBI report: Indian Point security "robust," but special oversight needed. FEMA suggests use of potassium iodide for general public in EPZ. NRC meetings open to Web site viewing.

OPERATIONS

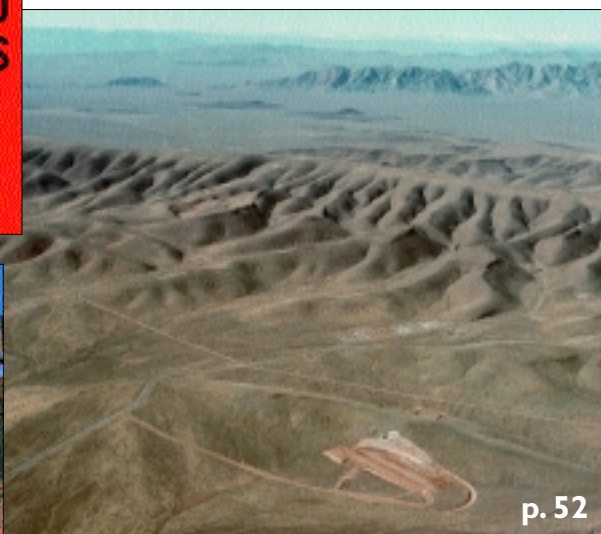
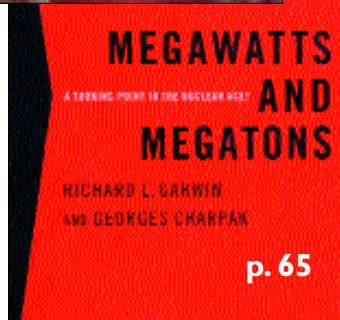
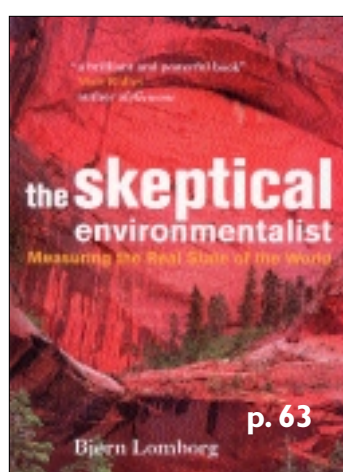
24

NEI report: The case against federalizing plant security.

INTERNATIONAL

47

Good marks to U.S. nonproliferation, threat-reduction aid. Eurodif, Cogema get unfair LEU subsidies, says DOC. North Korea signs protocol on QA, warranty issues with KEDO. Deal with Russia to purchase "weapons" uranium amended. Japan's Kansai Electric Power Co. cancels MOX fabrication in France. JAERI's HTTR reaches 30 MWt, continues test series. First criticality scheduled for February at China's Ling Ao-1. Russia signs agreement on financing K2/R4 in Ukraine. OECD/NEA: Expert positions on safety issues published. Pu commissioning of Sellafield MOX plant gets under way. European Commission pays \$35 million into Chernobyl Shelter Fund.



WASTE MANAGEMENT 52

Abraham announces intent to recommend Yucca Mountain site for repository; reactions abound. American Ecology sells certain assets; other business developments, contracts. NRC releases final EIS on Private Fuel Storage spent fuel facility.

INDUSTRY 58

Westinghouse acquires Logitest; other business developments. Framatome ANP, FWS, others get contracts.

RESEARCH 67

County, industry attempt to rescue FFTF research reactor. R&D funds expected to increase in 2002. High Flux Isotope Reactor at ORNL restarts after lengthy repairs. Researchers seek answers to proton spin mystery at Relativistic Heavy Ion Collider.

ISOTOPES & RADIATION 70

New imaging technique may spot Alzheimer's at early stage. Test procedure may aid in early anthrax diagnosis.

DEPARTMENTS

Backscatter	76	75	Literature from Suppliers
Calendar	6	72	People
Calls for Papers	8	9	Proceedings Available
Equipment & Services	74	9	Recently Published
Index to Advertisers	61	10	Retrospective
Late News in Brief	17	4	Setpoint
Letters	12	8	Short Courses and Seminars

ANS Officers

PRESIDENT

Gail H. Marcus

VICE PRESIDENT/PRESIDENT-ELECT

Harold Ray

TREASURER

Kyle Turner

CHAIRMAN, ANS PUBLICATIONS

STEERING COMMITTEE

Robert W. Hess

Administrative

EXECUTIVE DIRECTOR

Harry Bradley

Coming up ...

March—The Fourth Annual Nuclear News Reference Issue



Nuclear News (ISSN: 0029-5574), Volume 45, Number 2. Published monthly (except during the month of April when issued twice monthly) by the American Nuclear Society, Incorporated, with business, executive, and editorial offices at 555 N. Kensington Ave., La Grange Park, Illinois 60526; telephone 708/352-6611. Subscription rate is \$290 for 2002; overseas subscribers add \$51 per year for postage and handling. Single copy price is \$25; \$10 additional for overseas postage and handling (except for the Buyers Guide issue, which is \$91; \$10 additional for overseas postage and handling). Individual ANS members receive *NV* as part of membership (up to \$48 of dues allocated to *NN*). Replacement copies may be obtained at the single copy price, as long as copies are available. Inquiries about the distribution and delivery of *Nuclear News* and requests for changes of address should be directed to the American Nuclear Society. Allow six weeks for a change to become effective. POSTMASTER: Send change of address orders to *Nuclear News*, American Nuclear Society, 555 N. Kensington Ave., La Grange Park, Illinois 60526, or <nuc-news@ans.org>.

Nuclear News is printed in New Richmond, Wis. 54017, by St. Croix Press, Inc. Nonprofit periodicals postage paid at La Grange, Illinois, and at additional mailing offices. Copyright © 2002 by the American Nuclear Society, Inc. Trademark registered in USA and Canada.

Opinions expressed in this publication by the authors are their own and do not necessarily reflect the opinions of the editors, the American Nuclear Society, or the organizations with which the authors are affiliated, nor should publication of author viewpoints or identification of materials or products be construed as endorsement by this publication or by the Society.

Texts of most *Nuclear News* articles are available on the NEXIS data base, from Mead Data Corporation.